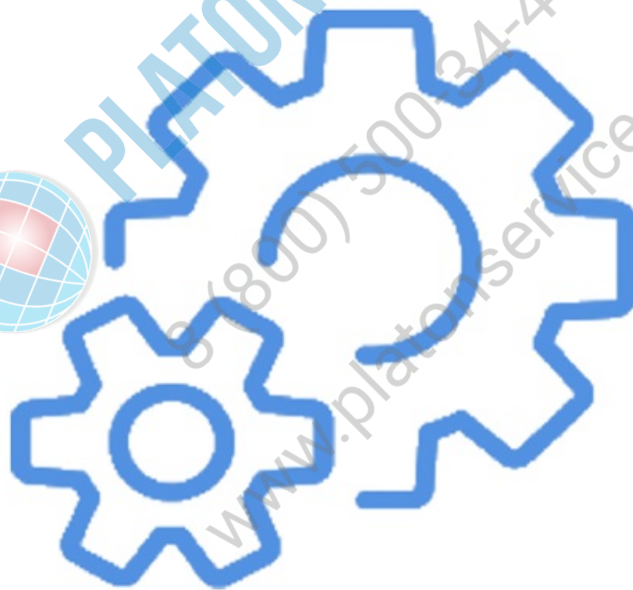


**cod.DW115E**

data:11/01/2023

**Catálogo ricambi  
Spare parts catalog  
Catalogue de pièces détachées  
Ersatzteilkatalog  
Catálogo de repuestos  
Catálogo de peças de reposição  
Каталог запасных частей**

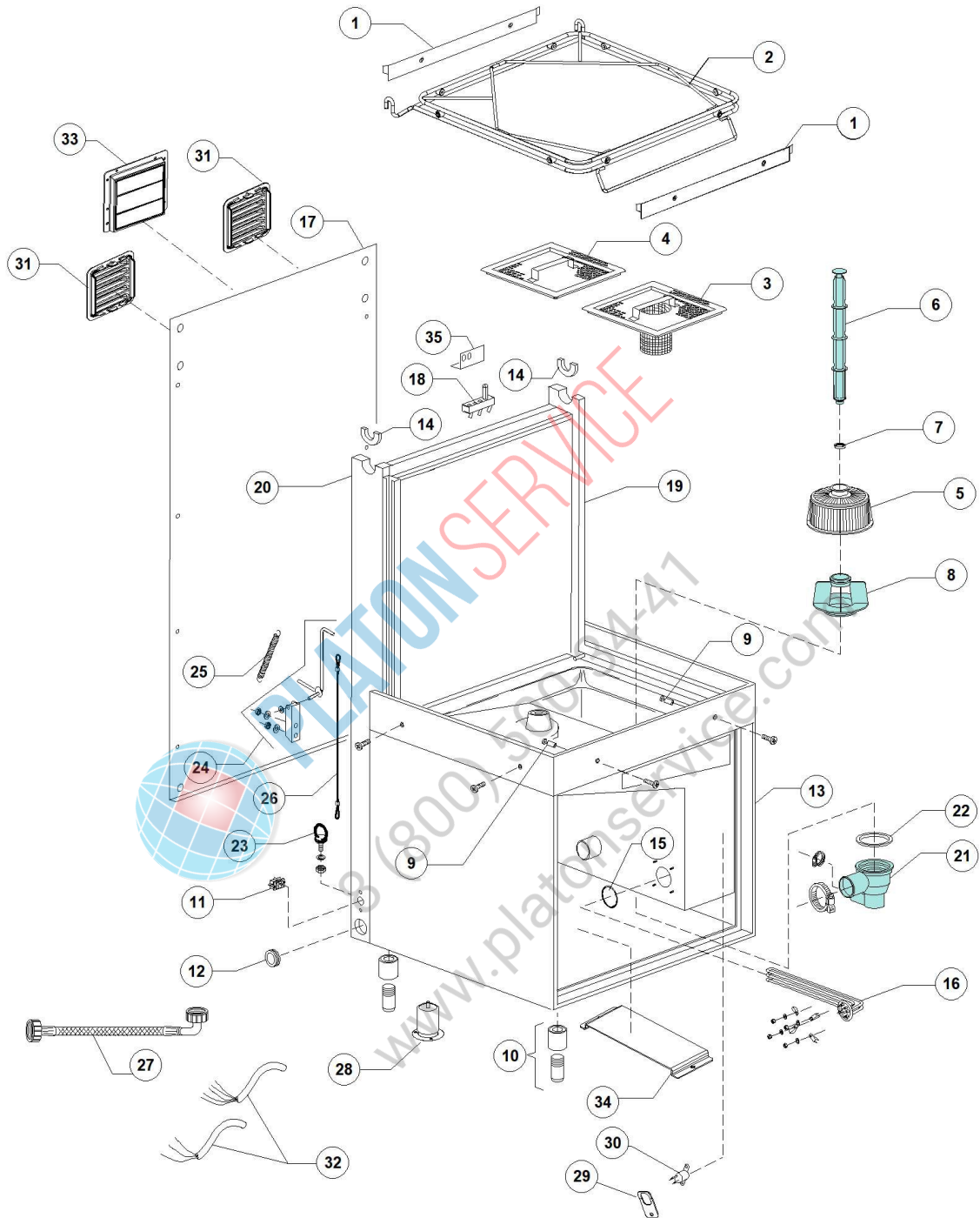
**SILVER 1400 EXCEL DA 400V3N50HZ EAC**



**S/N:DWN1024846**



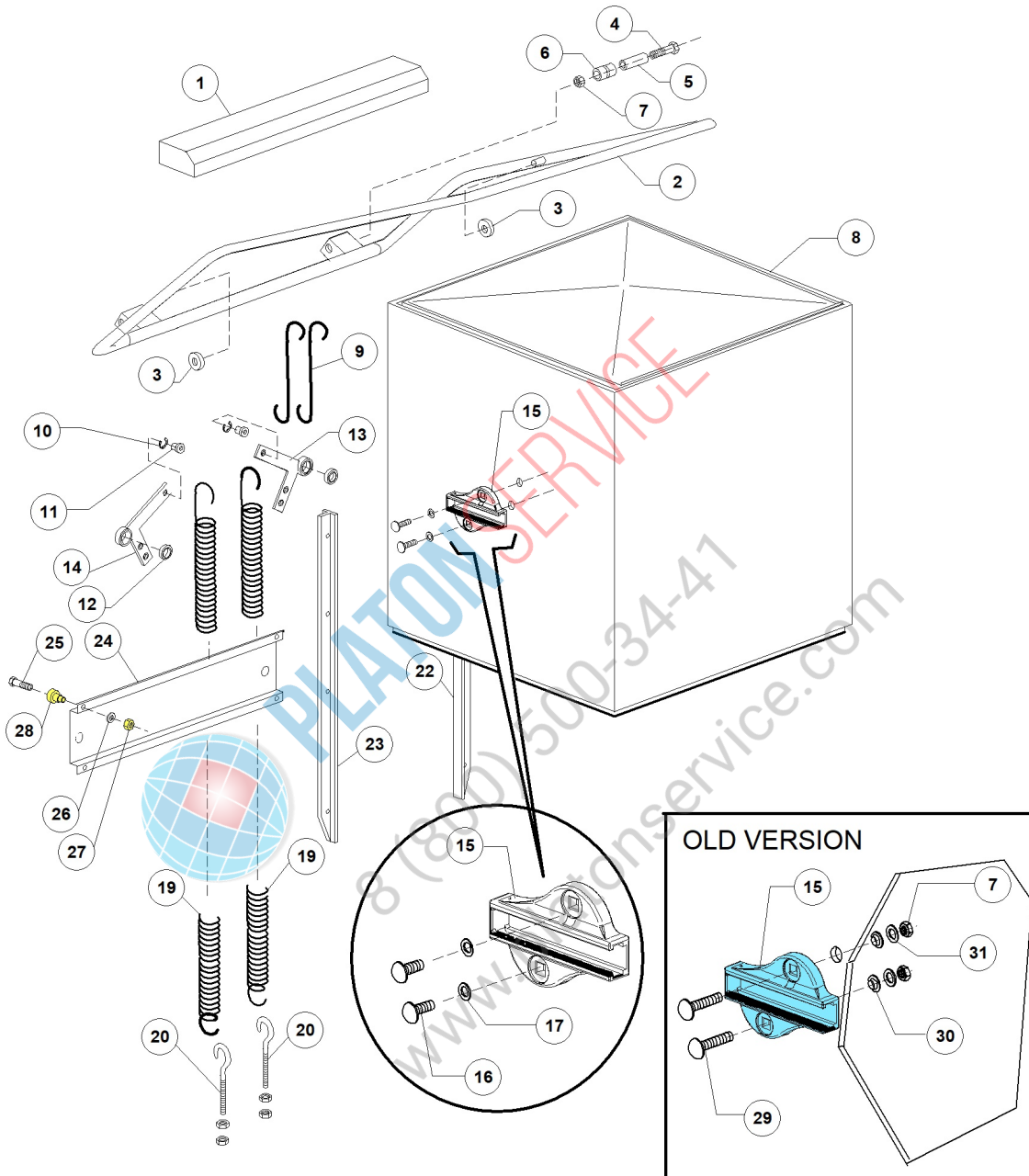
SILVER 1400 EXCEL DA 400V3N50HZ EAC - DWN1024846 - Gruppo carrozzeria - DW115E



SILVER 1400 EXCEL DA 400V3N50HZ EAC - DWN1024846 - Gruppo carrozzeria - DW115E

Pos.	Codice	Descrizione	Description
1	DW10600923	SPONDINA CESTO 1200	BASKET BOARD
2	DW11600001	SUPPORTO CESTO AISI 304 GASTRO 12S	S/S BASKET SUPPORT 12S
3	DW11600906	FILTRO VASCA ANT. G12/03 CESTELLO	TANK FRONT FILTER
4	DW11600907	FILTRO VASCA POS. G12/03 & 11/03	TANK BACK FILTER
5	DW500616	FILTRO ASPIR. GS50 GRIGIO	SUCTION FILTER
6	DW11600102	TROPPO PIENO G12/03	OVERFLOW PIPE G12/03
7	DW13021	GUARNIZIONE DEM 40 PER TROPPOPP. GS	OVERLOW PIPE GASKET DEM 40 (MIN. 2 PCS)
8	DW500615	GHIERA CON INNESTO FILTRO MOD.50	FERRULE FOR FILTER CLUTCH
9	DW11600018	PERNO SUPPORTO PORTACESTO	BASKET HOLDER PIN SUPPORT
10	DW15116	"PIEDINO 2" M10 REG. 132-210"	"ADJUSTABLE FOOT M10 132-210 2""
11	DW15065/A	FISSACAVO PER VITI AUTOF (NR.2x11007)	CABLE-FASTENER WITH SCREW
12	DW13324	PASSACAVO GOMMA D.46X50	RUBBER FAIRLEAD D.46X50
13	DW11600306	ASSIEME CARROZZERIA HT12 DEPURATA	BODYWORK 12S DEP.
14	DW11600055	BOCCOLA GUIDA MANIG.DX-SX G12	RIGHT/LEFT HANDLE PILOT BUSH
15	DW13005	GUARNIZIONE OR 151 NBR	O-RING 151 NBR (MIN. 5 PCS)
16	DW15047/A	RESIST.2700/2940W 230/240V 3	2700/2940W 230/240V 3 HEATING ELEM.
17	DW11600630	SCHIENALE POSTERIORE G-12S (1X 3071286)	BACK PANEL 12S
18	DW70305	FINECORSO A PULSANTE MF17	LIMIT STOP PUSH BUTTON
19	DW11600620	MONTANTE DX G 12S	RIGHT STANDARD
20	DW11600621	MONTANTE SX G 12S	LEFT STANDARD
21	DW500605	POZZETTO CON SCARICO LATERALE SX	LEFT SIDE SCRAP TRAY
22	DW80208	GUARNIZIONE RAMPA LP2 DIAM.95X75X3	RISER GASKET D.95X75X3 (MIN. 2 PCS)
23	DW11600058	GANCIO GOLFARE MASCHIO M8 ZINC	M8 ZINC PLATED MALE HOOK
24	DW11600059	ASSIEME SICUREZZA CAPOTTE	SAFETY SYSTEM ASSEMBLY SUPPORT
25	DW10700	MOLLA PER PORTA DIS.LS034 DERBY	DOOR SPRING
26	DW11600057/A	CORDA PER SISTEMA SICUREZZA G12/03	SAFETY SYSTEM ROPE 12/03
27	DW10726	CANNA CARICO PICC. WRAS m1,5x3/4 EN61770	LOAD PIPE WRAS M1,5x3/4 EN61770
29	DW15552/A	STAFFETTA PER TERMOSTATO VASCA KLIXON	
30	DW15552/B	TERMOST. SICUR.VASCA KLIXON SENZA STAFFA	KLIXON TANK SAFETY THERMOSTAT
32	DW80200	CAVO ALIMENTAZIONE 5X4X3400	CABLE 5X4X3400
33	DW3071286	CARTER PER IPX4 /IPX5 ESTERNO	EXTERNAL PROTECTION IPX4/IPX5
34	DW11600111	CARTER PER HT IPX4	BASE PROTECTION IPX4
35	DW11600919	SQ.SUPPORTO MICRO G 12S	MICROSWITCH SUPPORT

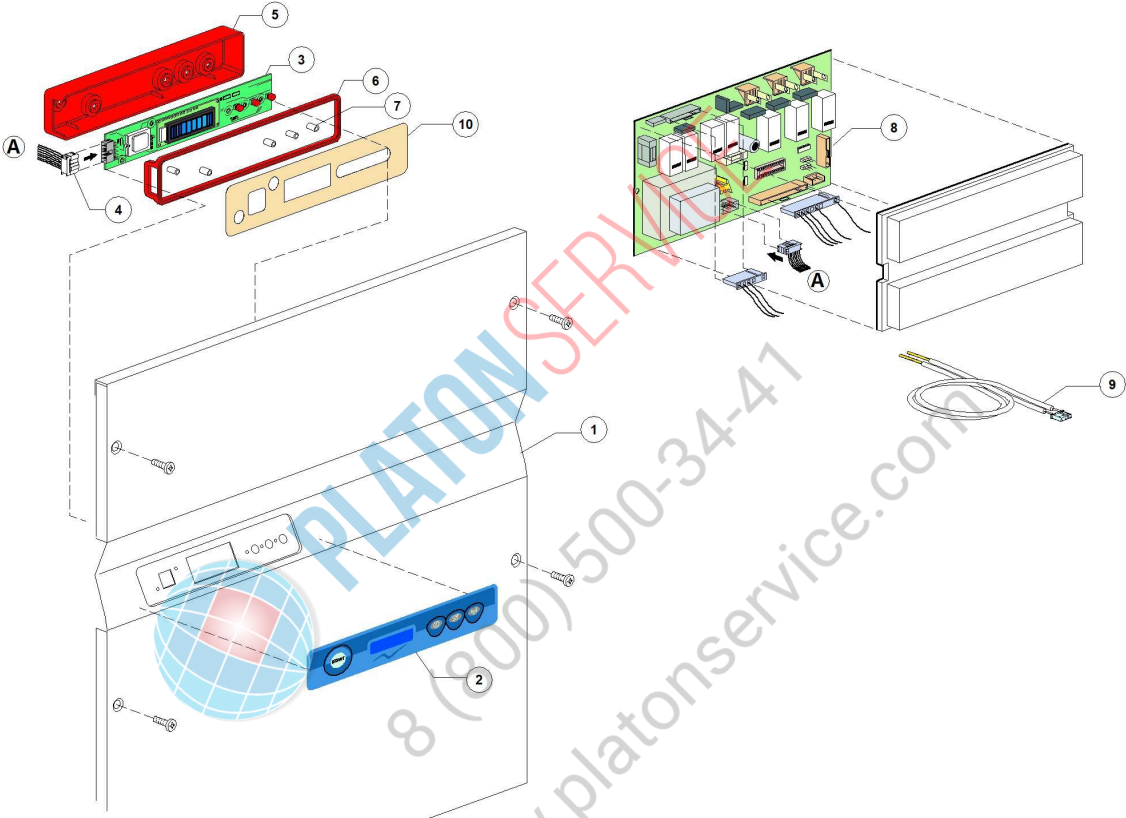
SILVER 1400 EXCEL DA 400V3N50HZ EAC - DWN1024846 - Capotta - DW115E



**SILVER 1400 EXCEL DA 400V3N50HZ EAC - DWN1024846 - Capotta - DW115E**

Pos.	Codice	Descrizione	Description
1	DW11600913	SPOILER COMPLETO G 12S	SPOILER G12S
2	DW11600910	MANIGLIONE CAPPOTTA G12 COMPLETO	S/S HOOD HANDLE
3	DW89919	RUOTA PER CESTO LP3/LP4	WHEEL FOR BASKET P3S/P4S8
4	DW11163	VITE INOX M8X50 TE DIN933	M8X50 TE S/S SCREW
5	DW11600015	DISTANZIALE PER RULLI CAPPOTTA G12	HOOD ROLLER SPACER
6	DW11600014	RULLO PER TIRANTE CAPPOTTA G12	TIE ROD ROLLER G12
7	DW11718	DADO M8 AUTOBLOCCANTE INOX DIN 982	S/S SELF-LOCKING NUT M8 DIN982
8	DW11600902	CAPPOTTA COMPLETA GS 12S	COMPLETE HOOD G12S
9	DW11600013	TIRANTE UNIONE MANIGLIONE-LEVE	HOOD HANDLE TIE ROD
10	DW11823	SEEGER DIAM.10 INOX DIN 471 UNI7435	SNAP RING D.10 S/S
11	DW11600038	BOCCOLA PER MOLLA	BOCCOLA PER MOLLA
12	DW10800010	CUSCINETTO 6002 2RS PER LEVE SOLL.	LEVER BEARING
13	DW11600026	LEVA PER CAPPOTTA DX G 12S VERNIC.	RIGHT LEVER
14	DW11600027	LEVA PER CAPPOTTA SX G 12S VERNIC.	LEFT LEVER
15	DW11600036	CAMMA MOVIM. CAPPOTTA G 12 GRIGIA	CAPOTE MOVEMENT CAM
16	DW11222	VITE TESTA BOMB C.E. FLANGIATA M8L25INOX	
17	DW11223	RONDELLA M8 DENTELLATA INOX DIN6798	M8 S/S TOOTHED LOCK WASHER
19	DW70302	MOLLA POSTERIORE S12	BACK SPRING
20	DW10800210	VITE TIRANTE CON GANCIO M10X60	ROD SCREW WITH HOOK M10X60
22	DW11600028	PATTINO SCORRIMENTO CAPPOT.DX G 12S	HOOD RIGHT SLIDING GUIDE 12S
23	DW11600029	PATTINO SCORRIMENTO CAPPOT.SX G 12S	HOOD LEFT SLIDING GUIDE 12S
24	DW11600624	OMEGA SUPPORTO LEVE CAPPOTTA	LEVERS OMEGA SHAPED SUPPORT
25	DW11134	VITE INOX M10X35 TE UNI5739 DIN933	M10X35 TE S/S SCREW UNI5739 DIN933
26	DW11192	RONDELLA GROWER M10 INOX DIN 127B	M10 S/S GROWER WASHER DIN127B
27	DW11719	DADO M10 INOX DIN 934	S/S NUT M10 DIN934
28	DW10800115	PERNO ASTA SOLLEVAMENTO GUIDACUSCIN	LIFTING ROD PIN
29	DW11324	#VITE INOX M8x40 T.TONDA/QUADRO UNI 5731	STAINLESS STEEL SCREW
30	DW76086	OGIVA PER CAMME DIAM.16	CAM SEAL WASHER D.16
31	DW11185	RONDELLA 8X16 PIANA INOX DIN125	8X16 S/S PLANE WASHER DIN125

SILVER 1400 EXCEL DA 400V3N50HZ EAC - DWN1024846 - Pannello comandi - DW115E



**SILVER 1400 EXCEL DA 400V3N50HZ EAC - DWN1024846 - Pannello comandi - DW115E**

Pos.	Codice	Descrizione	Description
1	DW11600926	"SOTTOPORTA INTERO "TOP""	FRONT PANEL/CONTROL PANEL
2	DW560058	MOSTRINA TOP SILVER 2011	
3	DW560051	TASTIERA CON DISPLAY 122X32 VERS.09	KEY-BOARD WITH DISPLAY 122X32 VERS.09
4	DW50651	"PIATTINA MULTIFILO "F16p" L1000"	RIBBON CABLE F16p L1000
5	DW560051/A	SCATOLA PROT. SCHEDA 560051 (245X46X19)	ELECTRONIC BOARD PROTECTION BOX 560051
6	DW560051/B	GUARNIZIONE PER SCATOLA 560051/A	PROTECTION BOX GASKET DW560051/A
7	DW50561	DIST. SCHEDE ELETTR. 2009 D.8X10	MAINBOARD SPACER D.8X10
8	DW11600927	SCHEDA TOP/CAPOTTA PLUS 2010 (BL)	MAINBOARD TOP/HOOD PLUS 2010 (BL)
9	DW50562	SONDA TERMOSTATO SCHEDA DIHRECO2	THERMOSTAT PROBE DIHRECO2
10	DW560053	PROTEZ. ISOLANTE ADES. PULSAN. TOP	PUSH BUTTON PANEL INSULATING PROTECTION

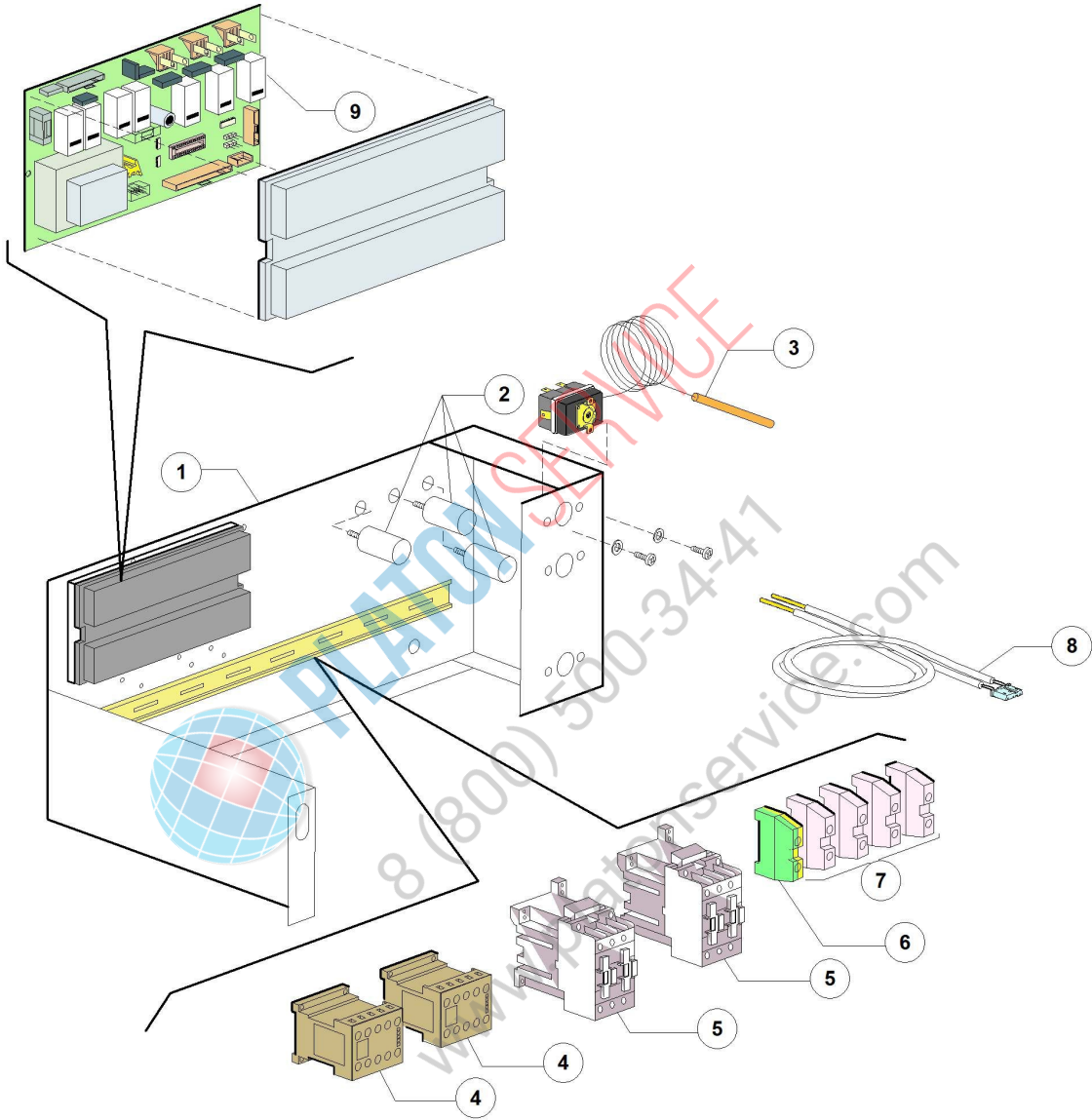


**PLATON SERVICE**

8 (800) 500-34-47

[www.platonservice.com](http://www.platonservice.com)







**SILVER 1400 EXCEL DA 400V3N50HZ EAC - DWN1024846 - Componenti elettrici - DW115E**

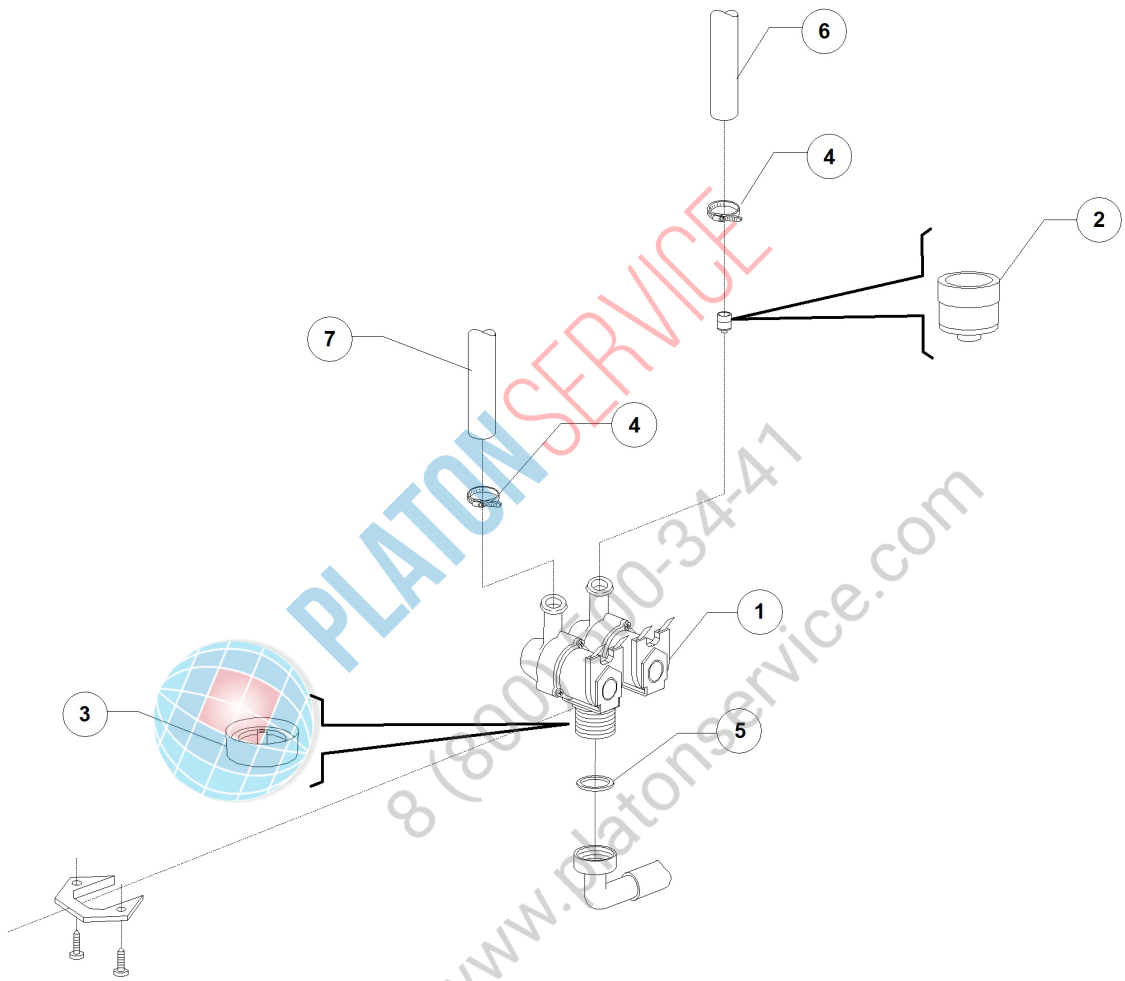
Pos.	Codice	Descrizione	Description
1	DW11600955	PORTACOMPONENTI G12/03	ELECTRIC COMPONENTS PANEL 12/03
2	DW15149	FILTRO ANTIDIS.F3 (CX0.47MF)	ANTIJAMMING FILTER F3 (CX0.47MF)
3	DW2000430	TERMOSTATO DI SICUR. 110 1500PVC	SAFETY THERMOSTAT 110 1500PVC
4	DW15086	TELERUTTORE 230V 50/60Hz 4C AC3(6A)	CONTACTOR 230V 50/60Hz 4C AC3(6A)
5	DW10300050	TELERUTT. 25A/12A 4NA 230V 50-60HZ	CONTACTOR 25A/12A 4NA 230V 50-60HZ
6	DW10300401	MORSETTO 6/8mmq GIALLO VERDE	TERMINAL 6/8mmq YELLOW/GREEN
7	DW10300403	MORSETTO 6mmq	TERMINAL 6mmq
8	DW50562	SONDA TERMOSTATO SCHEDA DIHRECO2	THERMOSTAT PROBE DIHRECO2
9	DW11600927	SCHEDA TOP/CAPOTTA PLUS 2010 (BL)	MAINBOARD TOP/HOOD PLUS 2010 (BL)



**PLATON SERVICE**

8 (800) 500-34-41

[www.platonservice.com](http://www.platonservice.com)



**SILVER 1400 EXCEL DA 400V3N50HZ EAC - DWN1024846 - Valvola di carico - DW115E**

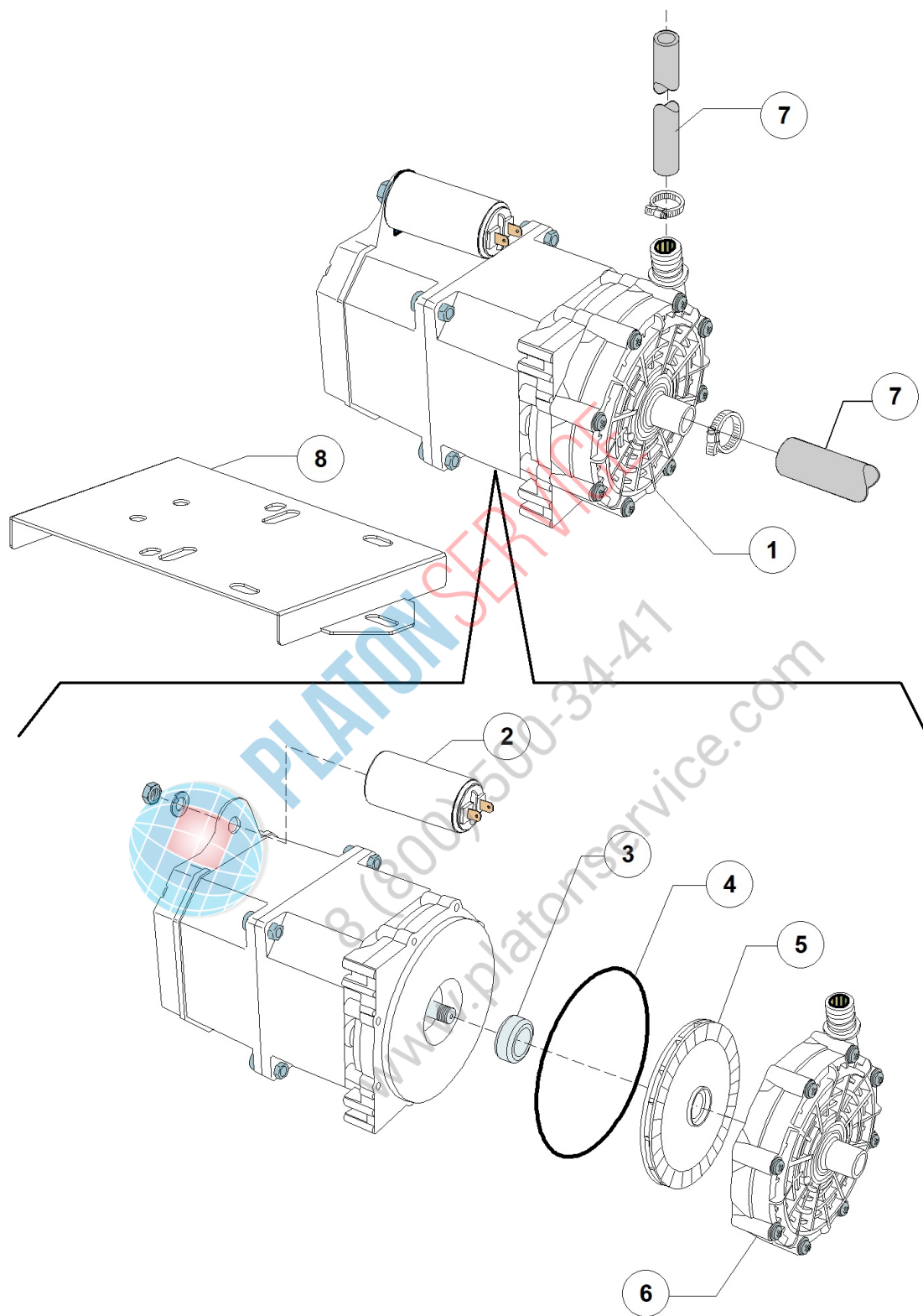
Pos.	Codice	Descrizione	Description
1	DW15098	ELETTROVALVOLA DOPPIA	DOUBLE SOLENOID VALVE
2	DW15115/B	RIDUT.PORTATA USCITA VERDINO (0,7-1L/m)	LIGHT GREEN PRESSURE REDUCER (0,7-1L/m)
3	DW15286	VALVOLA NON RITORNO DVGW DEPURATE	NONRETURN VALVE DVGW WATER SOFTENER
4	DW11807	FASCETTE AISI 430 12/22	CLAMP 12/22 AISI 430
5	DW13307	GUARNIZ. 3/4 CARICO H2O DIS.LS061	GUARNIZ. 3/4 CARICO H2O DIS.LS061
6	DW14506	TUBO GOMMA DIAM 9,5X16 EPDM	9,5X16 EPDM RUBBER PIPE
6	DW2907351	TUBO GOMMA EPDM 11,5X19	11,5X19 EPDM RUBBER PIPE
6	DW2907352	TUBO GOMMA PVC WRAS BT	PVC WRAS RUBBER PIPE
7	DW2907351	TUBO GOMMA EPDM 11,5X19	11,5X19 EPDM RUBBER PIPE
7	DW14506	TUBO GOMMA DIAM 9,5X16 EPDM	9,5X16 EPDM RUBBER PIPE



PLATON SERVICE

8 (800) 500-34-41

www.platonservice.com



**SILVER 1400 EXCEL DA 400V3N50HZ EAC - DWN1024846 - Pompa risciaquo / PAP - DW115E**

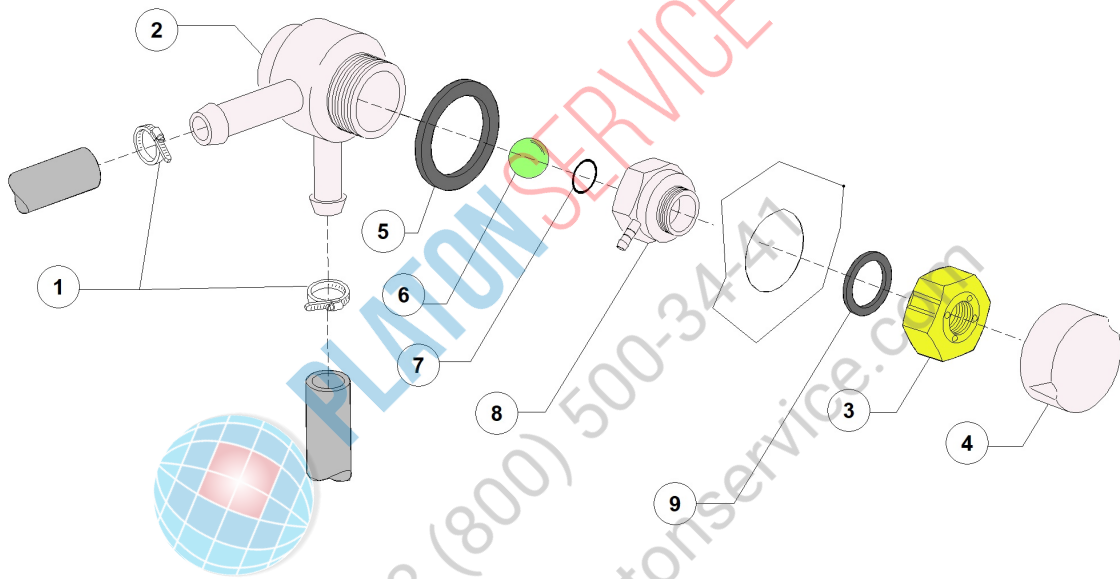
Pos.	Codice	Descrizione	Description
1	DW15100/DO	POMPA RISCIAQUO 220-240/50 (PLUS)	RINSE PUMP 220-240V/50HZ (PLUS)
2	DW16043	#CONDENSATORE POMPA uf8	uf8 CONDENSER
3	DW15100/S	TENUTE ROTANTI EPDM(15100/DO)	EPDM ROTARY SEAL (15100/DO)
4	DW15100/T	OR EPDM(15100/DO)	O-RING EPDM (15100/DO)
5	DW15100/U	GIRANTE 90X2.5 (15100/DO)	PUMP ROTOR 90X2.5 (DW15100/DO)
6	DW15100/V	CHIOCCIOLA ANTE. (15100/DO)	SCROLL FOR PUMP 15100/DO
7	DW2907351	TUBO GOMMA EPDM 11,5X19	11,5X19 EPDM RUBBER PIPE
8	DW23235	STAFFA SUPP. POMPA A.P.	BOOSTER PUMP SUPPORT



**PLATON SERVICE**

8 (800) 500-34-41

[www.platonservice.com](http://www.platonservice.com)



**SILVER 1400 EXCEL DA 400V3N50HZ EAC - DWN1024846 - Valvola DVGW - DW115E**

Pos.	Codice	Descrizione	Description
1	DW11807	FASCETTE AISI 430 12/22	CLAMP 12/22 AISI 430
2	DW15280	CORPO CENTRALE VALVOLA DVGW 07	DRAIN VALVE CENTER BODY
3	DW15281	DADO VALVOLA DVGW 07	VALVE NUT
4	DW15282	COPRI DADO VALVOLA DVGW 07	VALVE NUT COVER
5	DW15283	GUARNIZIONE VALVOLA DVGW 07	VALVE GASKET
6	DW15284	"SFERA 5/8" VALVOLA DVGW 07"	"5/8" BALL FOR DVGW VALVE 07"
7	DW15285	GUARNIZIONE OR 115 KTW VALVOLA DVGW 07	O-RING 115 KTW
8	DW15287	PROLUNGA INNESTO SFIATO DVGW 07	DVGW VALVE EXTENSION 2007
9	DW13027	GUARNIZIONE OR 3118	O-RING 3118



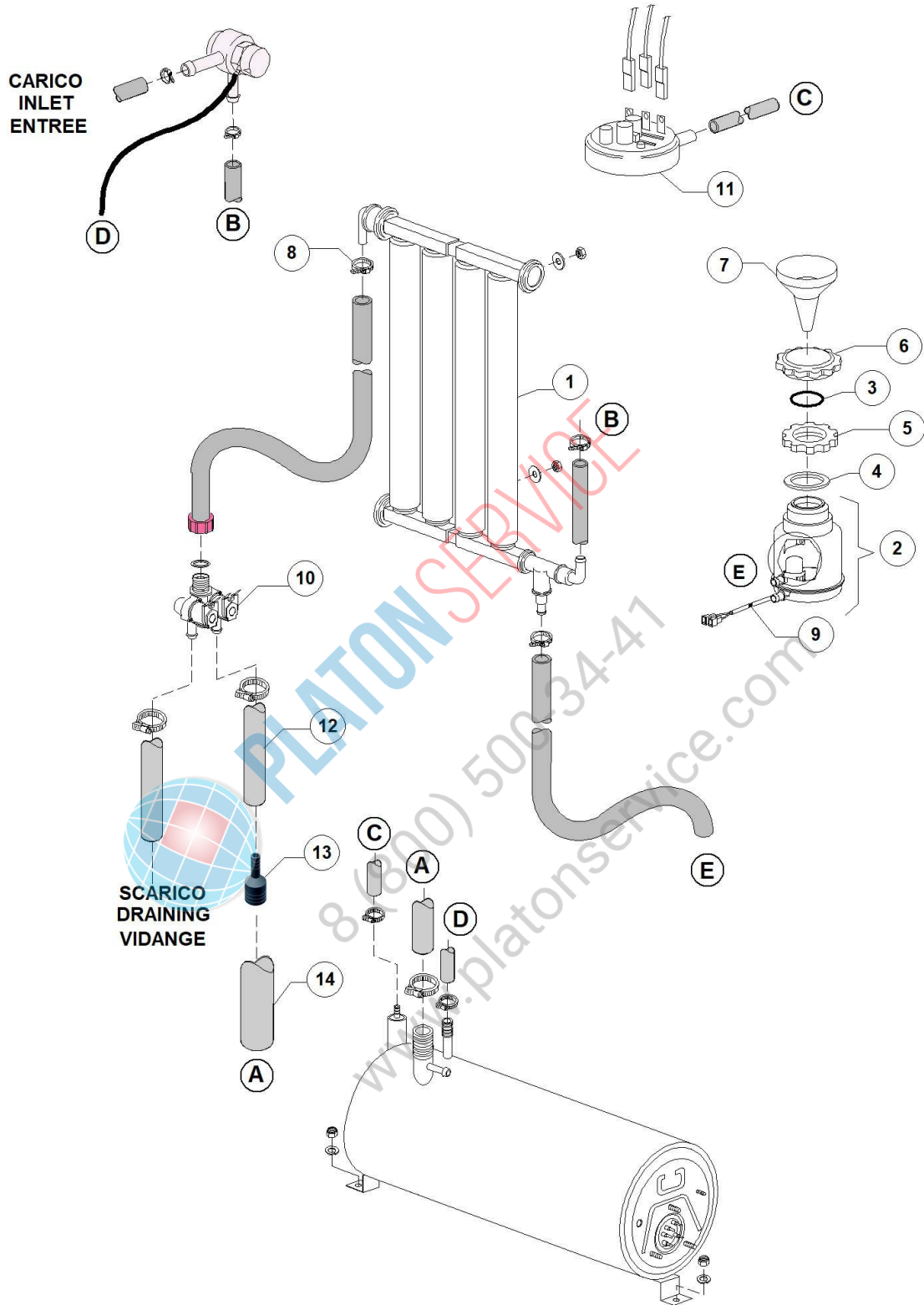
**PLATON SERVICE**

8 (800) 500-34-41

[www.platonservice.com](http://www.platonservice.com)



SILVER 1400 EXCEL DA 400V3N50HZ EAC - DWN1024846 - Gruppo addolcitore - DW115E

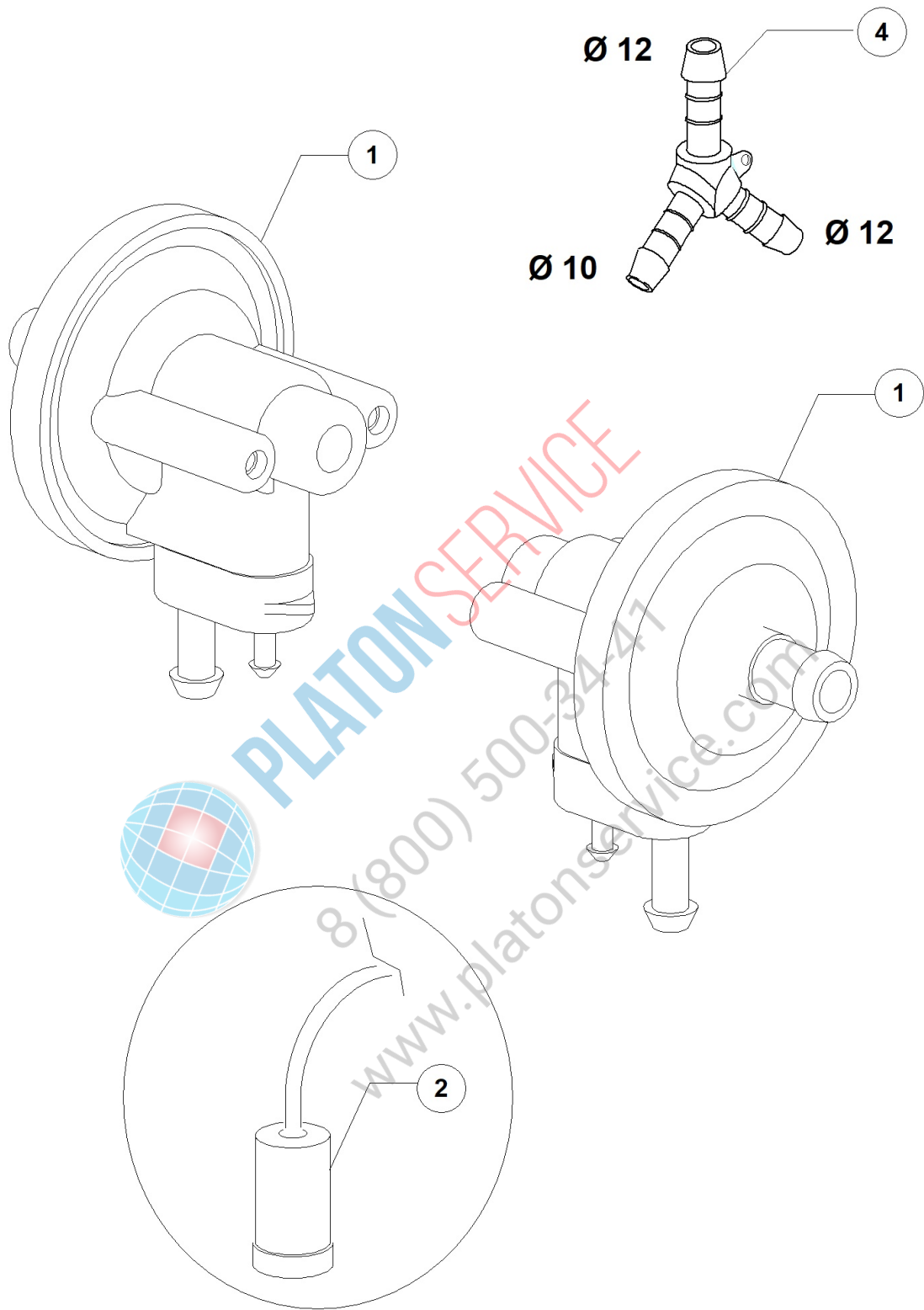


**SILVER 1400 EXCEL DA 400V3N50HZ EAC - DWN1024846 - Gruppo addolcitore - DW115E**

Pos.	Codice	Descrizione	Description
1	DW16066	DECALCIFICATORE 4 ELEMENTI 1 LITRO	WATER SOFTENER 4 ELEMENTS
2	DW16072	CONTENITORE SALE (CON SENSORE)	SALT CONTAINER WITH SENSOR
3	DW16067/A	#GUARNIZIONE OR PER TAPPO BOCCIA SAL	OR O-RING
4	DW16067/B	GUARNIZIONE BOCCIA SALE	O-RING FOR SALT CONTAINER
5	DW16067/C	GHIERA PER BOCCIA SALE	RING NUT FOR SALT CONTAINER
6	DW16067/D	TAPPO PER BOCCIA SALE	PLUG FOR SALT CONTAINER
7	DW16082	IMBUTO	FUNNEL
8	DW11807	FASCETTE AISI 430 12/22	CLAMP 12/22 AISI 430
9	DW16072/A	MICROCONTATTO MAGNETICO (BOCCIA SALE)	MAGNETIC MICROSWITCH (SALT CONTAINER)
10	DW15214	ELETTROVALVOLA 3/4 1XNA1XNO 220-40/50-60	"VALVE 3/4" 1XNA 1XNO 220-240V/50-60HZ"
11	DW10706/A	"PRESSOSTATO "EL." 46-26"	PRESSURE SWITCH 46-26
12	DW2907351	TUBO GOMMA EPDM 11,5X19	11,5X19 EPDM RUBBER PIPE
13	DW3003063	RIDUTTORE RAMPA PRERISCIACQUO (SK)	REDUCER
14	DW11600105	MAN.BT - BOILER ATM.RADIO 36X28X500	PIPE COUPLING BT/ATMOSP.BOILER 36X28X500



PLATON SERVICE  
8 (800) 500-34-41  
www.platonservice.com



**SILVER 1400 EXCEL DA 400V3N50HZ EAC - DWN1024846 - Gruppo dosatore Brillantante - DW115E**

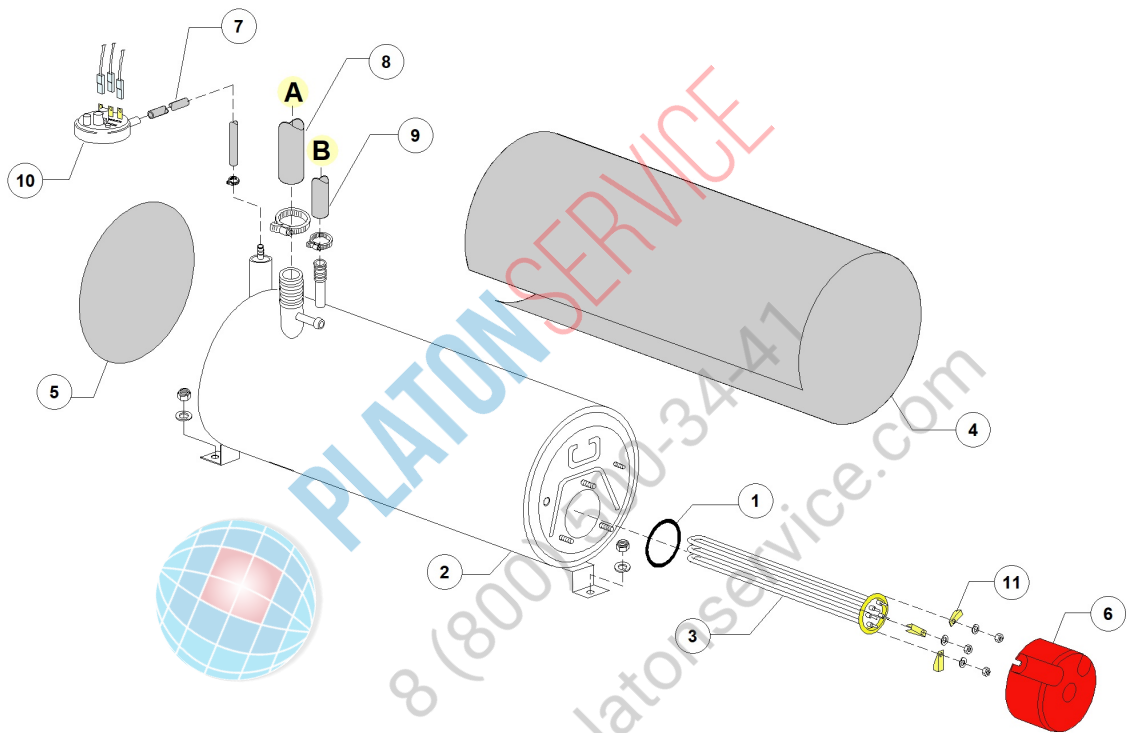
Pos.	Codice	Descrizione	Description
1	DW10799/G	DOSATORE BRILLANTANTE	RINSE AID DOSING PUMP
2	DW15058	FILTRINO CON PESO ASPIR. DET/BRIL	SMALL FILTER (MIN. 3 PCS)
3	DW352908	SUPPORTO DOSATORE (10/96)	
4	DW540105	DERIV. 3VIE Y D.10-12-12 (DOSATORE)	Y-PIECE D.10-12-12



**PLATON SERVICE**

8 (800) 500-34-41

[www.platonservice.com](http://www.platonservice.com)

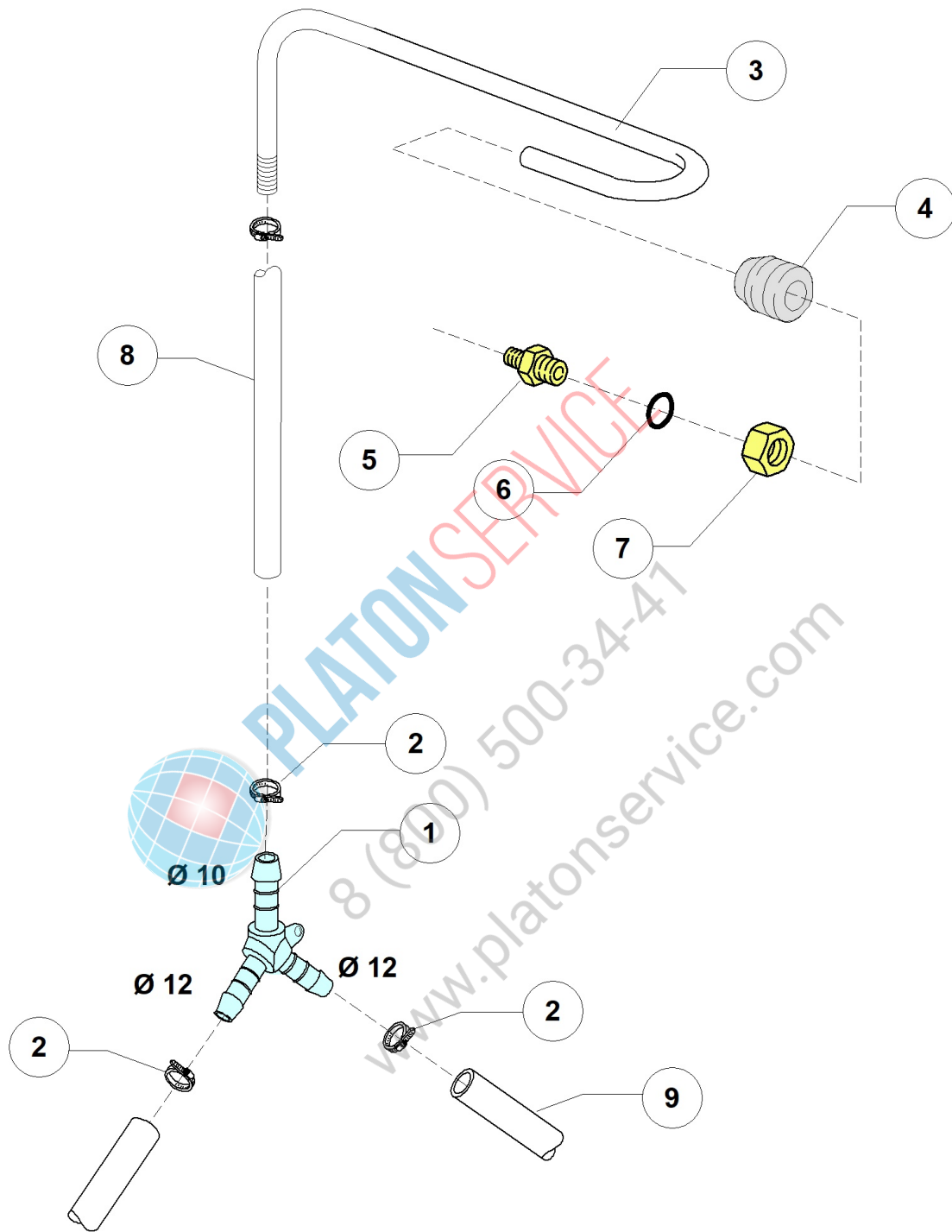


**SILVER 1400 EXCEL DA 400V3N50HZ EAC - DWN1024846 - Gruppo boiler - DW115E**

Pos.	Codice	Descrizione	Description
1	DW13015	GUARNIZIONE 6225 OR 160 NBR	6225 O-RING 160 NBR
2	DW11600104	BOILER ATMOSFERICO D190x490 BA(AISI 304)	ATMOSPHERIC BOILER D190x490 BA(AISI 304)
3	DW30001011	RESIST.9000/9800W 230/240V 3	9000/9800W 230/240V 3 HEATING ELEM.
4	DW11600110	COIBENTE PER BOILER ATM D190	BOILER INSULATING ATM D190
5	DW91115	DISCO IN ESPANSOLENE AUTOESTING.D.190X3	INSULATING DISK D.190
6	DW75311	CUFFIOTTO PER RESISTENZA 26/03/97	HEATING ELEMENT COVER
7	DW14508	TUBO EPDM 4.5X9 PER PRESSOSTATO	EPDM HOSE 4.5X9 FOR PRESSURE SWITCH
8	DW11600105	MAN.BT-BOILER ATM.RADIO 36X28X500	PIPE COUPLING BT/ATMOSP.BOILER 36X28X500
9	DW2907351	TUBO GOMMA EPDM 11,5X19	11,5X19 EPDM RUBBER PIPE
10	DW10706/A	"PRESSOSTATO "EL." 46-26"	PRESSURE SWITCH 46-26
11	DW16045	STAFFE FISSAGGIO RESIST.FORO 6.3	HEATING ELEMENT MOUNTING BRACKET D.6,3



**PLATON SERVICE**  
8 (800) 500-34-41  
www.platonservice.com





**SILVER 1400 EXCEL DA 400V3N50HZ EAC - DWN1024846 - Deviazione 3 vie - DW115E**

Pos.	Codice	Descrizione	Description
1	DW540104	DERIV. 3VIE Y D.12-12-10 PLASTICA	PLASTIC Y-PIECE D.12-12-10
2	DW11807	FASCETTE AISI 430 12/22	CLAMP 12/22 AISI 430
3	DW76082	RAMPA RISC. 11/04-G12/03 COMPLETA	RINSE RISER 11/04 12/03
4	DW13304	GUARNIZIONE PASSATUBO 70SH	PIPE-PASS O-RING
5	DW12006	RACC. TUBO RISC.DIAM.10 COMP. INOX	S/S RINSE PIPE FITTING D.10
6	DW13003	GUARNIZIONE OR 112 NBR	O-RING 112 NBR (MIN. 10 PCS)
7	DW12006/A	DADO3/8x3,5ES.19 X RACC.TUBO DIAM10	"HEXAGONAL NUT 3/8" D.10"
8	DW14506	TUBO GOMMA DIAM 9,5X16 EPDM	9,5X16 EPDM RUBBER PIPE
9	DW2907351	TUBO GOMMA EPDM 11,5X19	11,5X19 EPDM RUBBER PIPE

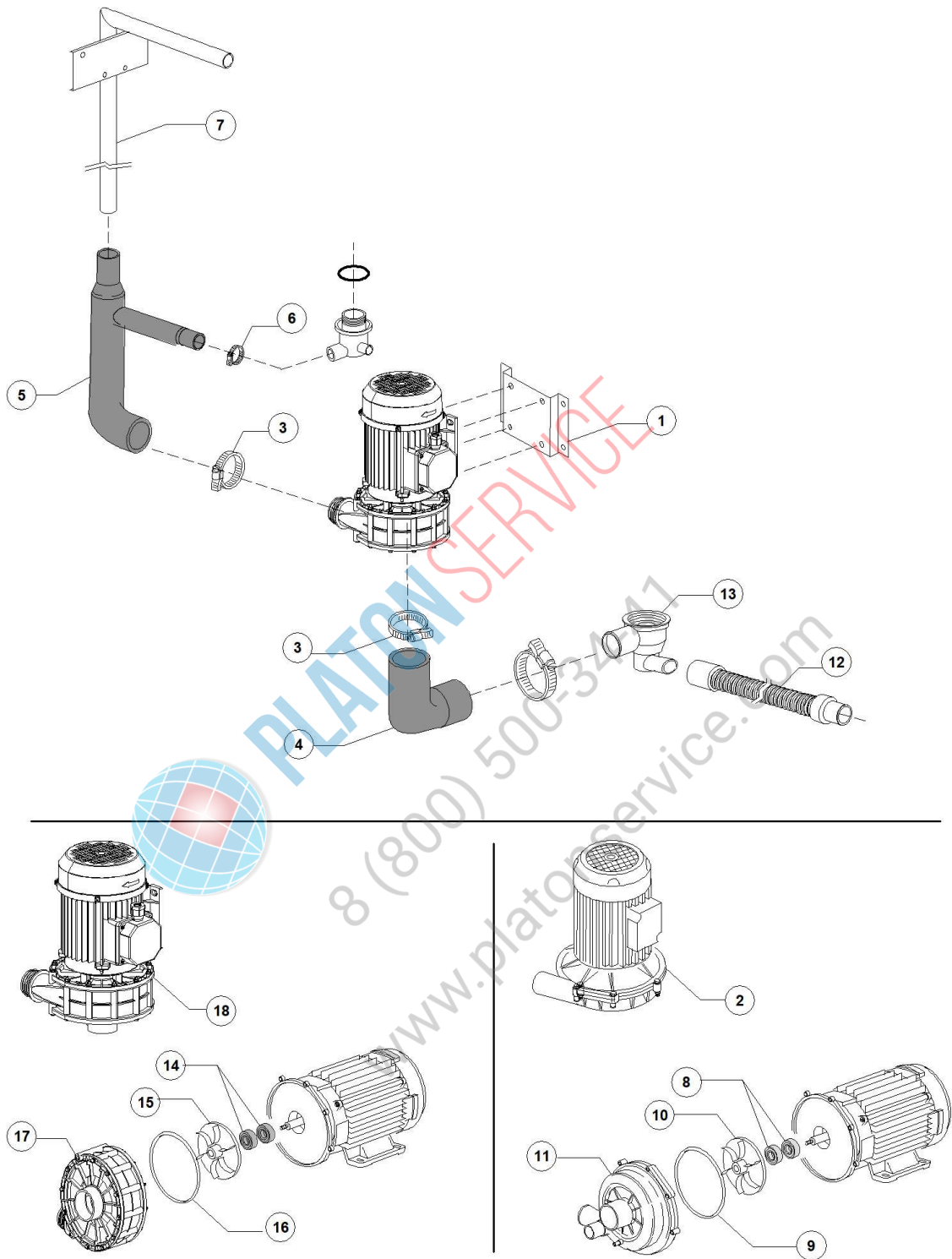


**PLATON SERVICE**

8 (800) 500-34-41

[www.platonservice.com](http://www.platonservice.com)

SILVER 1400 EXCEL DA 400V3N50HZ EAC - DWN1024846 - Gruppo pompa di lavaggio - DW115E

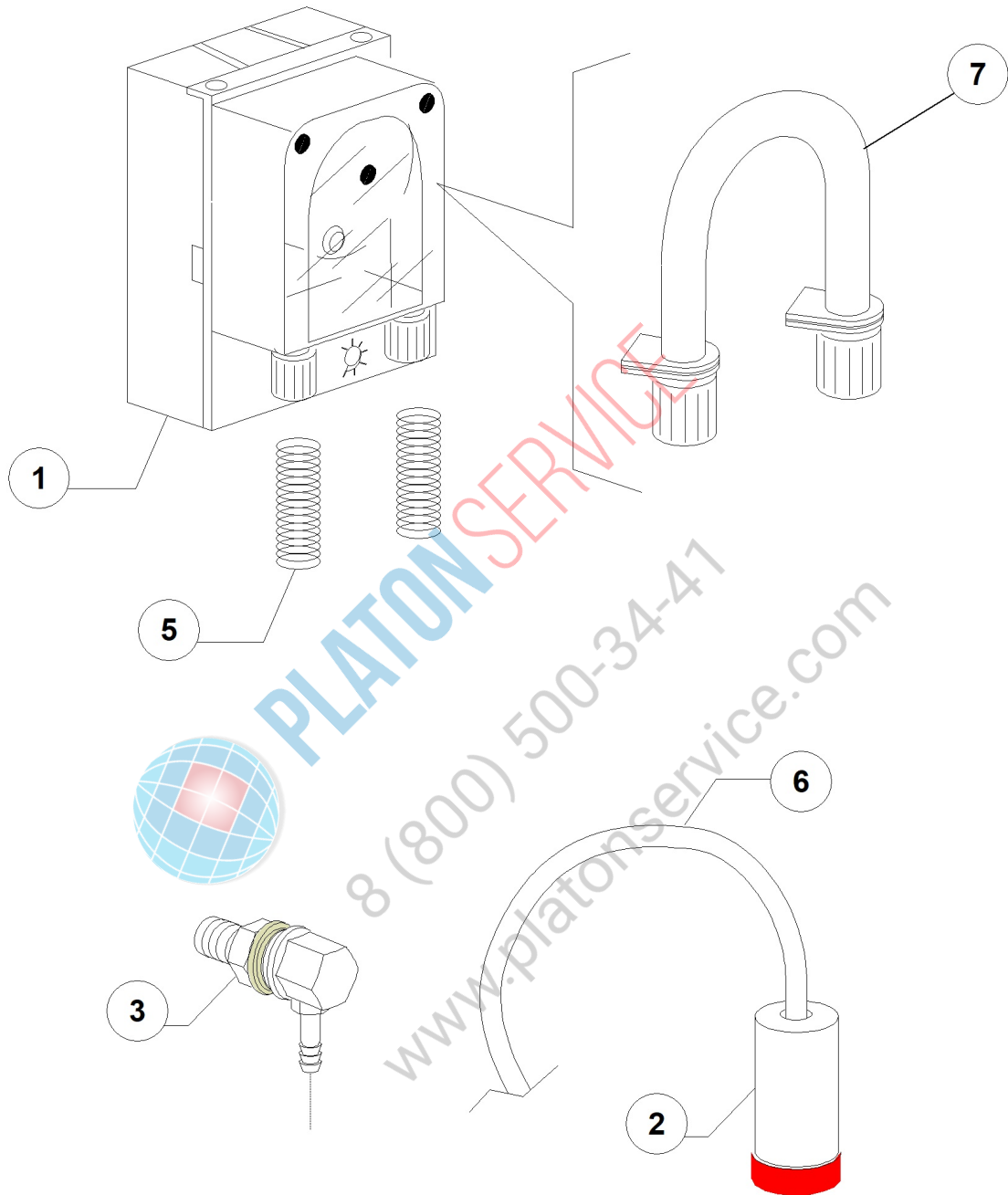


**SILVER 1400 EXCEL DA 400V3N50HZ EAC - DWN1024846 - Gruppo pompa di lavaggio - DW115E**

Pos.	Codice	Descrizione	Description
1	DW11600623	STAFFA SUPPORTO POMPA G12	PUMP SUPPORT G12
2	DW22037	POMPA HP2.0 220-240/380-415 50Hz	PUMP HP2.0 220-240/380-415V3/50HZ
3	DW11824	FASCETTA AISI 430 50-70	CLAMP 50/70 AISI 430
4	DW11600100	MANICOTTO ASPIRAZIONE G12/03	SUCTION PIPE COUPLING
5	DW11600101	MANICOTTO MANDATA G12/03	DELIVERY PIPE COUPLING
6	DW11806	FASCETTE AISI 430 25/40	CLAMP 25/40 AISI 430
7	DW11600103	RAMPA LAVAGGIO G12/03-11S/03	WASH RISER G12/03 11S/03
8	DW15080	PREMISTOPA+CONTROFACCIA	ROTATING SEALS
9	DW10200290	#GUARNIZIONE OR POMPA 1225	OR 1225 GASKET
10	DW22045	#GIRANTE POMPA HP2 MOD.1226	PUMP ROTOR (PUMP 2HP)
11	DW10200222	#COPERCHIO POMPA 1225+1226	SCROLL
12	DW10727	CANNA SCARICO mt.1.5 D.24 PICCOLA	DRAIN HOSE 1,5MT D.24
13	DW500605	POZZETTO CON SCARICO LATERALE SX	LEFT SIDE SCRAP TRAY
14	DW15080	PREMISTOPA+CONTROFACCIA	ROTATING SEALS
15	DW22045/O	#GIRANTE POMPA 2HP MEC80.T200SX(OLYMPIA)	PUMP ROTOR (PUMP 2HP)
16	DW10200290/O	GUARN.OR POMPA MEC80.T200SX(OLYMPIA)	GUARN.OR POMPA MEC80.T200SX(OLYMPIA)
17	DW10200222/O	#KIT CHIOCCIOLA POMPA MEC80.T200SX(OLYMP	SCROLL
18	DW22037	POMPA HP2.0 220-240/380-415 50Hz	PUMP HP2.0 220-240/380-415V3/50HZ



PLATONSERVICE  
 8 (800) 500-3447  
 www.platonservice.com



**SILVER 1400 EXCEL DA 400V3N50HZ EAC - DWN1024846 - Dosatore detersivo - DW115E**

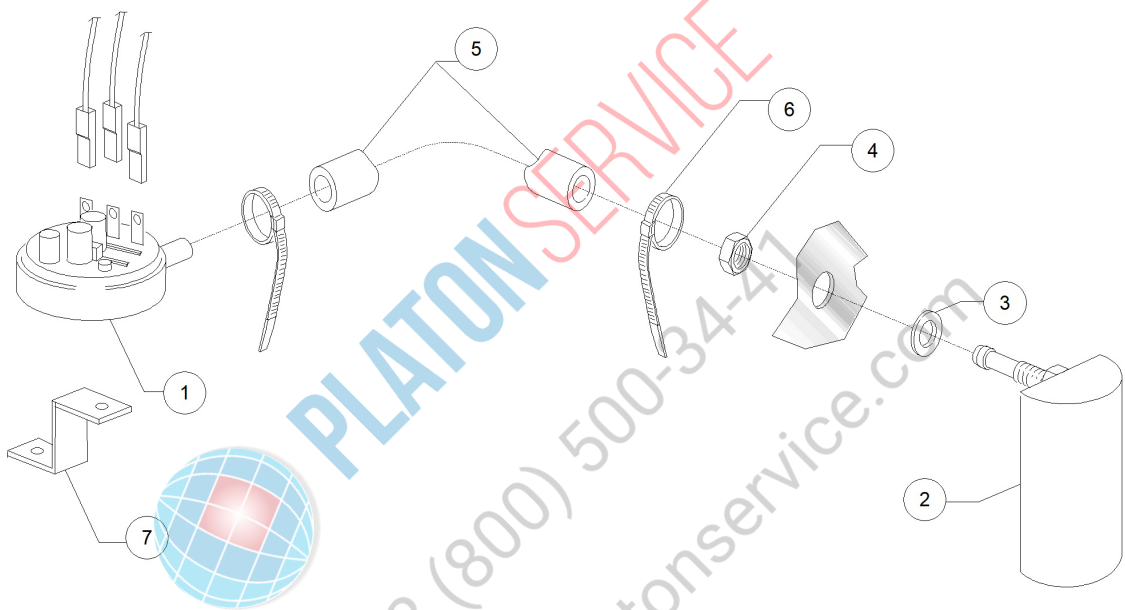
Pos.	Codice	Descrizione	Description
1	DW15985	DOS.ELETT.DET REGOLABILE 0-3LT/H	DETERGENT DOSING PUMP 0-3L/H
2	DW15058	FILTRINO CON PESO ASPIR. DET/BRIL	SMALL FILTER (MIN. 3 PCS)
3	DW15123	INIETTORE DETER. A GOMITO INOX	S/S DOSING PUMP INJECTOR
5	DW10763	MOLLA D.05 INOX PER TUB. D.6x4 PVC	PIPE S/S SPRING
6	DW14503	TUBO PVC DIAM.6x4 TRASPARENTE	D.6X4 PVC TRANSPARENT HOSE
7	DW15108/E	TUBO TERMOPLASTICO DDE GERMAC	GERMAC DISPENSER THERMOPLASTIC HOSE
7	DW15185	TUBO MEMBRANA DDE SEKO DET.	SEKO DISPENSER THERMOPLASTIC HOSE
7	DW15297	TUBO MEMBRANA DDE SEKO 04/2013	SEKO DISPENSER THERMOPLASTIC HOSE
7	DW15297/T	TUBO TERMOPLASTICO DDE TECNOPRO	TECNOPRO DISPENSER THERMOPLASTIC HOSE
7	DW15985/A	#TUBO TERMOPLASTICO DDE MICRODOS	MICRODOS THERMOPLASTIC PIPE



**PLATON SERVICE**

8 (800) 500-34-41

[www.platonservice.com](http://www.platonservice.com)



**SILVER 1400 EXCEL DA 400V3N50HZ EAC - DWN1024846 - Pressostato - DW115E**

Pos.	Codice	Descrizione	Description
1	DW88110	PRESSOSTATO 250-40	PRESSURE SWITCH 250-40
2	DW135911	ASSIEME GABBIA D'ARIA GRIGIA L90	GREY AIR TRAP ASSEMBLY L90
3	DW13301	GUARNIZ. IN FASTIT 202 D14x8x1,5	O-RING ROLMART D14X8X1,5
4	DW11702	DADO M8 INOX UNI5588 DIN934	S/S NUT M8 DIN934 (MIN. 20 PCS)
5	DW14508	TUBO EPDM 4.5X9 PER PRESSOSTATO	EPDM HOSE 4.5X9 FOR PRESSURE SWITCH
6	DW10738	FASCETTA PLASTICA 98X2.5	PLASTIC CLAMP 98X2,5
7	DW3009363	SUPPORTO PRESSOSTATO	PRESSURE-SWITCH SUPPORT



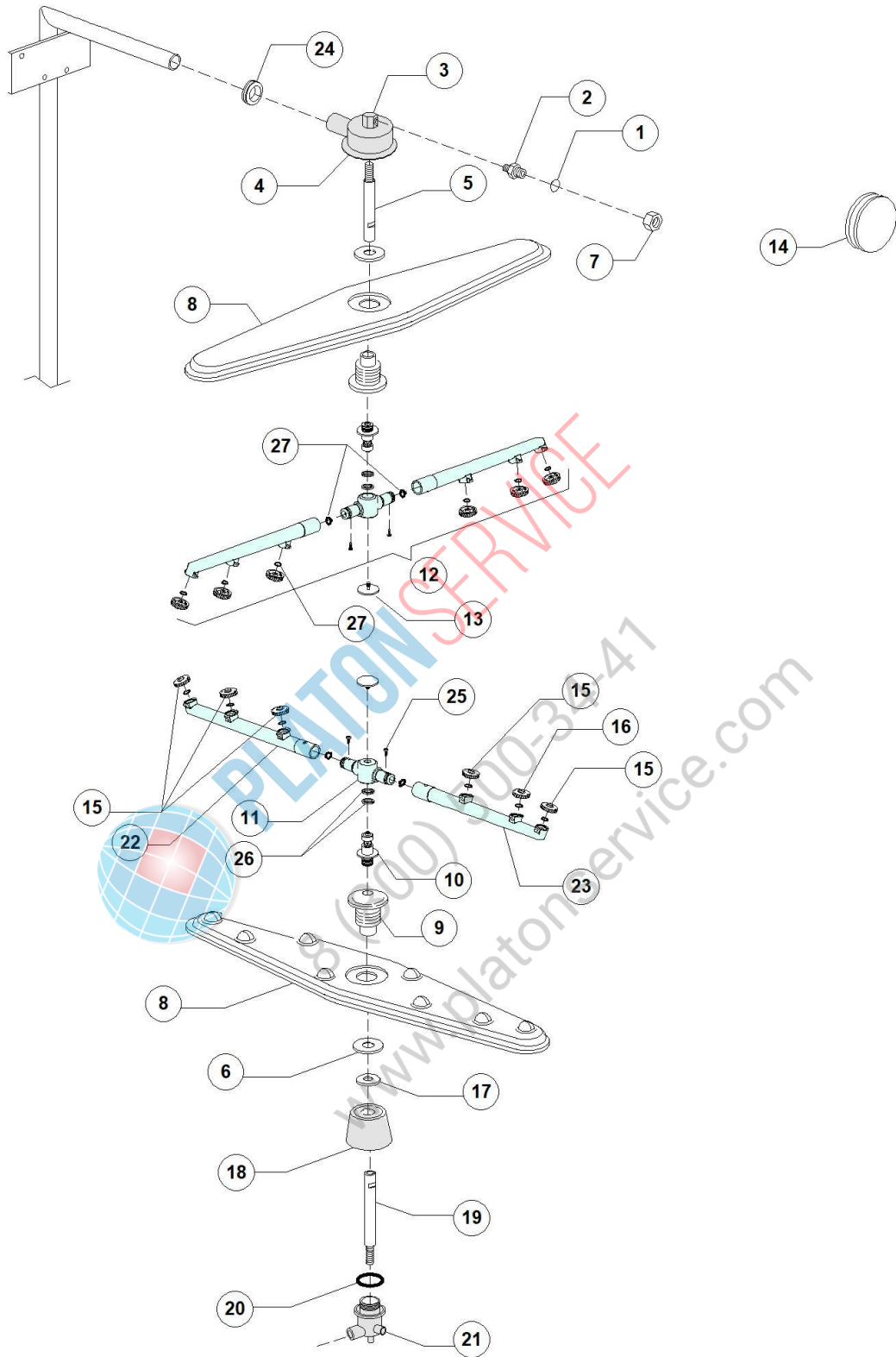
**PLATON SERVICE**

8 (800) 500-34-41

[www.platonservice.com](http://www.platonservice.com)



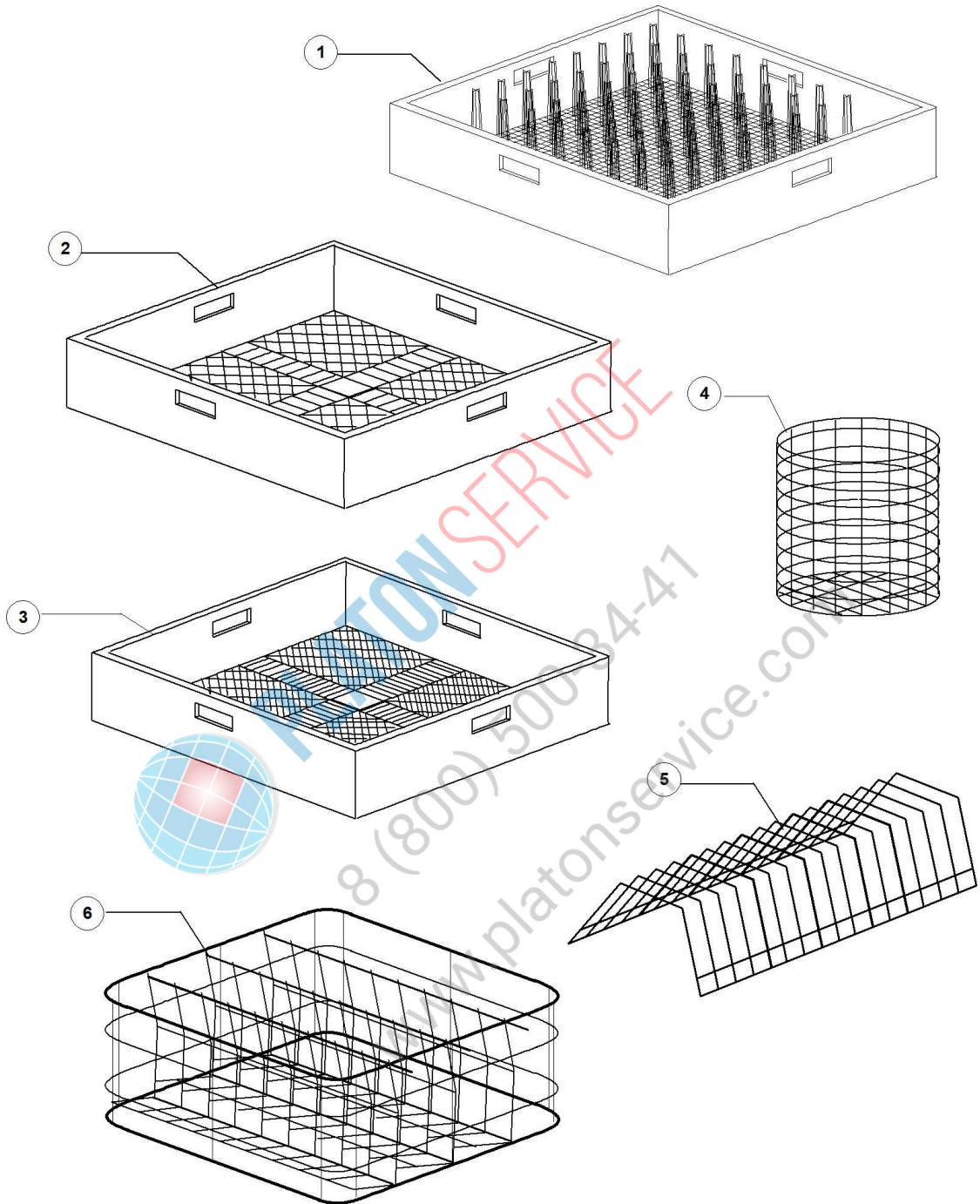
SILVER 1400 EXCEL DA 400V3N50HZ EAC - DWN1024846 - Gruppo lavaggio-risciacquo - DW115E



**SILVER 1400 EXCEL DA 400V3N50HZ EAC - DWN1024846 - Gruppo lavaggio-risciacquo - DW115E**

Pos.	Codice	Descrizione	Description
1	DW13003	GUARNIZIONE OR 112 NBR	O-RING 112 NBR (MIN. 10 PCS)
2	DW12006	RACC. TUBO RISC.DIAM.10 COMP. INOX	S/S RINSE PIPE FITTING D.10
3	DW75319	"GOMITO RISCIAQUO G 1/4"	"RINSE ELBOW G1/4"
4	DW78001	TORRETTA INOX PER GIRANTE INOX G12	S/SWASH ARMS' LOWER SUPPORT G12
5	DW75322	PROLUNGA PER ASSE RISC. SUP 11S 98	UPPER RINSE AXLE EXTENSION
6	DW75317	DADO PER MOZZO GIR. 11S/96	NUT FOR ROTOR HUB 11S/96
7	DW12006/A	DADO3/8x3,5ES.19 X RACC.TUBO DIAM10	"HEXAGONAL NUT 3/8" D.10"
8	DW10600900	GIRANTE LAVAGGIO G12/03-LP1S	WASH ROTOR
9	DW75320	MOZZO PER GIRANTE 11 S 09/98	HUB FOR ROTOR 11S 09/98
10	DW10651	ASSE RISCIAQUO/03	RINSE AXLE 03
11	DW75920/A	MOZZO PER GIRANTE RISCIAQUO 2009	HUB FOR RINSE ROTOR 2009
12	DW75920	GRUPPO RISC.SUP/INF 2009	UPPER/LOWER RINSE ASSEMBLY 2009
13	DW10652	VITE RISCIAQUO/03	RINSE ARM SCREW
14	DW13316/A	GUARNIZIONE CIECA PER FORO DVGW	DVGW HOLE PLUG
15	DW10371	TESTA UGEL. RISC. 95 APER. GRIG.(MIN 10)	OPENED RINSE NOZZLE (BATCH 10PCS)
16	DW10372	TESTA UGEL.RISC.95 CHIU. GRIGIO (MIN 10)	CLOSED RINSE NOZZLE (BATCH 10PCS)
17	DW11600033	ANELLO RIDUZIONE FLUSSO G 12 S	REDUCTION FLOW RING
18	DW11600035	TORRET. INF.SOST.GIRELLO G12 GRIGIA	WASH ARMS' LOWER SUPPORT G12
19	DW11600021	ASSE RISCIAQUO INFERIORE G 12S	LOWER RINSE AXLE G12S
20	DW13015	GUARNIZIONE 6225 OR 160 NBR	6225 O-RING 160 NBR
21	DW500621	TORR.INFER.PER GASTRO 12S GRIGIO	WASH ARMS' LOWER SUPPORT G12
22	DW75920/D	TUBO RISC. DX GRIGIO 2009	
23	DW75920/S	TUBO RISC. SX GRIGIO 2009	GREY LEFT RINSE ARM 2009
24	DW76081	GUARN.RAMPA 51x34x14(11/04-G12/03)	RISER GASKET 51X34X14
25	DW11004	VITE TCB D.8 DENTATA 4X10 SPAX	4X10 TCB D.8 SPAX TOOTHED SCREW
26	DW75920/B	ANELLI TENUTA MOZZO RISCIAQUO 2009	BAGUE D'ESPACEMENT
27	DW13002	GUARNIZIONE OR R6 NBR	O-RINGR R6 NBR (MIN. 10 PCS)

SILVER 1400 EXCEL DA 400V3N50HZ EAC - DWN1024846 - Cesti - DW115E



SILVER 1400 EXCEL DA 400V3N50HZ EAC - DWN1024846 - Cesti - DW115E

Pos.	Codice	Descrizione	Description
1	DWC40	CESTO PIATTI PLASTICA 50X50	PLASTIC PLATES BASKET 500X500
2	DWC44	CESTO BICCHIERI MAGL.LARGA PLASTICA	500X500 LARGE MESH GLASS BASKET
3	DWC41	CESTO POSATE MAG.STRETTA PLASTICA	CUTLERY BASKET - TIGHT MESH (PLASTIC)
4	DW15060	INSERTO CUCCHIAINI GRANDI DIS.G.060	CUTLERY BASKET



PLATON SERVICE

8 (800) 500-34-47

[www.platonservice.com](http://www.platonservice.com)



**PLATON**SERVICE

8 (800) 500-34-47

[www.platonservice.com](http://www.platonservice.com)

